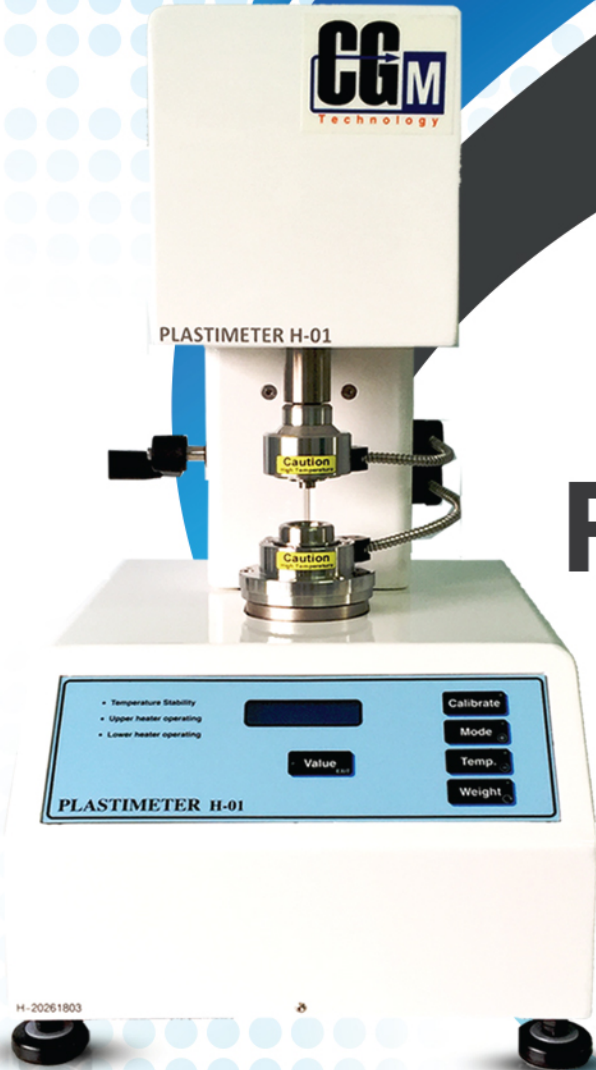


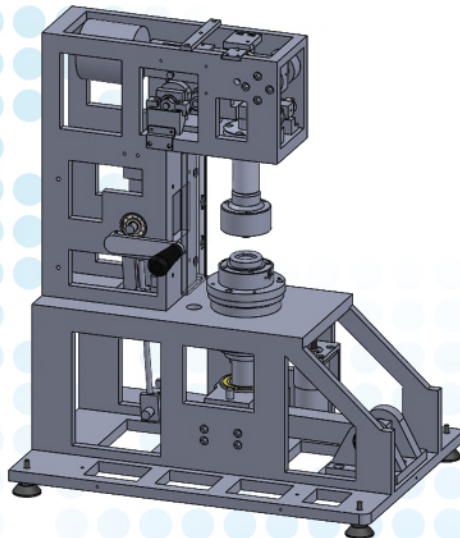


PLASTIMETER H-01



H-20261803

# PLASTIMETER H-01





<b>REFERENCE STANDARD</b>	ISO 2007, ASTM D3194-99, BS903: Pt. A59
<b>COMPRESSIVE FORCE</b>	100 ± 1 Newton
<b>FIXED THICKNESS</b>	1.00 ± 0.01 mm.
<b>TEST TIME</b>	Preload 15 +1 sec, Compression 15±0.2 sec.
<b>MEASURING RESOLUTION</b>	0.1, 0.5 unit
<b>INDICATOR</b>	LCD Character 16 x 2
<b>TEMPERATURE OF TEST</b>	100 ± 0.5 °C
<b>TEMPERATURE RESOLUTION</b>	0.1 °C
<b>PLATEN SIZE (DIAMETER)</b>	10.0 mm. (7.3, 14.0 mm. option)
<b>OUTPUT</b>	RS232 for printer or Computer.
<b>PRINTER</b>	Thermal-sensitive line dot method 50, 80 mm. (option)
<b>DISTANCE UPPER &amp; LOWER DIE</b>	25 – 30 mm.
<b>PLASTIMETER DIMENSION</b>	293 x 407 x 540 mm. (W x D x H)
<b>ELECTRIC POWER SOURCE</b>	AC 220 Volts 2 Amp. 1 Phase 50/60 Hz
<b>WEIGHT OF PLASTIMETER</b>	45 kg.



# AFTER SALES SERVICE

## MAINTENANCE SERVICES

### Preventive Maintenance Program

We provide Annual Maintenance Program by sending engineers to detect any irregularities and replace worn out parts, preventing sudden breakdown in the future.

### Repair

We dispatch our engineers to solve specific problems in the event of a sudden breakdown. We have enough spare parts in our warehouse. Also, we can provide consultation via telephone or remote access through computer.

## CALIBRATION

The company provides calibration services for testing instruments in the rubber and plastic industries according to ISO / IEC 17025.

