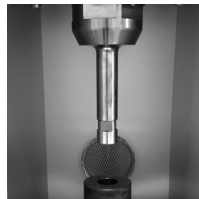




HITEC

LUXEMBOURG



Hydraulic press for the preparation of carbon black samples according to ASTM D3493 and ISO 4656.

The HCBP is an hydraulic press engineered for the specific use of compressing carbon black according to the ASTM standard D3493 and ISO 4656 for the determination of COAN number. The HCBP is designed to be placed and operated in a chemical lab with a compact design and with particular attention on HSE aspects. The compressing chamber is a confined area accessible by opening a transparent door.

On the back of the machine, a shutter allow the user to connect the system to the exhaust system of the lab (diam. 100 mm).

The press is set up to give on the sample the target pressure of 165 MPa. An analogic pressure gauge allow the operator to control the pressure of the system while compressing.

A digital cycle counter helps the operator to keep count of the compression cycles already done.

VISIT OUR SHOP TO GET MORE INFORMATION
SHOP.HITEC.LU




KEY FEATURES

- Compact design
- Easy to clean
- Ready for connection to the exhaust system
- Compressing aera enclose and safe
- Pressure gauge for visual control of pressure during compression
- Digital cycle counter

CUSTOMER SATISFACTION PROMISE

We offer worldwide installation and training services by our experienced engineers and technicians. Contact our sales & service team for more information: sales@hitec.lu

DIMENSION & SUPPLY

 Power supply	400 V, 50/60 Hz, 50 A
 Dimensions	809 x 758 x 1908 mm (W x D x H)
 Weight	325 Kg

HYDRAULIC SYSTEM

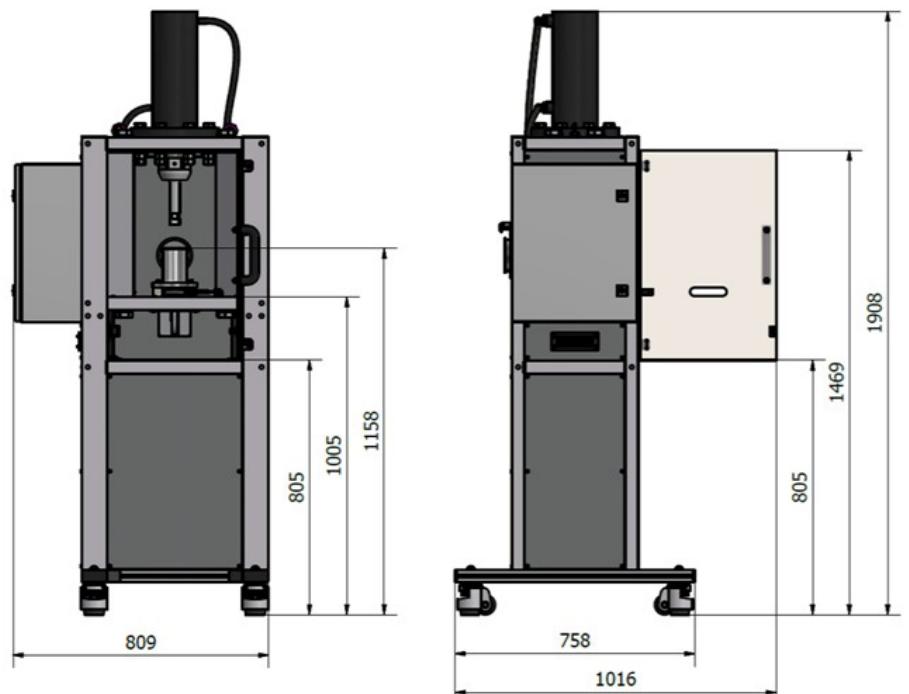
Maximum pressure of the hydraulic system	210 Bar
Pressure applied on the sample (fixed as per related standards)	165 MPa
Piston speed – compression phase:	10 mm/s
Oil tank capacity:	5 lt

COMPRESSION CHAMBER

Internal diam	31.8 mm
Available volume	73.9 cm ³

OPTIONS

Loadcell 28T with display for pressure control



For more information contact your HITEC Luxembourg representative:
Tel +352 498478 - 1 Fax +352 401303 Email sales@hitec.lu Web www.hitec.lu
49, rue du Baerendall - L-8212 Mamer